

OIL INDIA LIMITED
 (A Government of India Enterprise)
 P.O. Duliajan-786602, Assam, India
 E-mail: material@oilindia.in

INVITATION FOR LOCAL COMPETITIVE BID

OIL INDIA LIMITED invites Local Competitive Bid (LCB) through its e-procurement portal <https://etender.srm.oilindia.in/irj/portal> for the following items:

E-Tender No	Bid Closing/Opening Date	Item Description
SDI0240P16 Dt. 12.02.2016 Single Stage Composite Bid System	05.05.2016	FURNITURE
SDI0602P16 Dt. 16.03.2016 (Single Stage Composite Bid System)	05.05.2016	FURNITURE
SDI0235P16 Dt. 12.02.2016 (Single Stage Composite Bid System)	05.05.2016	MULTI FUNCTIONAL TEST BENCH
SDI0598P16 Dt. 15.03.2016 (Single Stage Composite Bid System)	05.05.2016	PLC WORKSTATION CUM SIMULATOR
SDI0608P16 Dt. 16.03.2016 (Single Stage Composite Bid System)	05.05.2016	BATTERY CHARGER
SDI0622P16 Dt. 17.03.2016 (Single Stage Composite Bid System)	05.05.2016	500KVA TRANSFORMER
SDI0637P16 Dt. 18.03.2016 (Single Stage Composite Bid System)	05.05.2016	DESK & BENCHES

Tender fee (Non-refundable): Rs 1,000.00; Bid Closing/Opening Time: **(11 Hrs.) IST/(14 Hrs.) IST**; Period of sale of documents: **Till one week prior to bid closing date**. The complete bid documents and details for purchasing bid documents, participation in E-tenders are available on OIL's e-procurement portal <https://etender.srm.oilindia.in/irj/portal> as well as OIL's website www.oil-india.com.

NOTE: All addenda, Corrigenda, time extension etc. to the tenders will be hosted on above website and e-portal only and no separate notification shall be issued in the press. Bidders should regularly visit above website and e-portal to keep themselves updated.



OIL INDIA LIMITED
(A Government of India Enterprises)
PO : Duliajan – 786602
Assam (India)

TELEPHONE NO: (91-374) 2808719

FAX NO: (91-374) 2800533

Email: ranjanbarman@oilindia.in ; erp_mm@oilindia.in

FORWARDING LETTER

Tender No. : SDI0608P16 Dt. 16.03.2016
Tender Fee : Rs 1,000.00
Bid Security Amount : Applicable.
Bidding Type : SINGLE STAGE COMPOSITE BID SYSTEM
Bid Closing on : As mentioned in the e-portal
Bid Opening on : -do-
Performance Security : Applicable
Integrity Pact : Not Applicable

OIL invites Bids for **Supply, Installation & Commissioning of Battery Chargers** through its e-Procurement site under **SINGLE STAGE COMPOSITE BID SYSTEM**. The bidding documents and other terms and conditions are available at Booklet No. MM/LOCAL/E-01/2005 for E-Procurement LCB Tenders. The prescribed Bid Forms for submission of bids are available in the Technical RfX -> External Area -> Tender Documents

The general details of tender can be viewed by opening the RfX [Tender] under RfX and Auctions.. The details of items tendered can be **found in the Item Data and details uploaded under Technical RFX.**

The tender will be governed by:

a) For technical support on various matters viz. Online registration of vendors, Resetting of Passwords, submission of online bids etc, vendors should contact OIL's ERP MM Deptt at following: Tel Nos = 0374-2807171 , 0374-2807192. Email id = erp_mm@oilindia.in.

b) OIL's office timings are as below:

	Time (in IST)
Monday – Friday	07.00 AM to 11.00 AM; 12.30 PM to 03.30 PM
Saturday	07.00 AM to 11.00 AM
Sunday and Holidays	Closed

Vendors should contact OIL officials at above timings only.

c) “General Terms & Conditions” for e-Procurement as per Booklet No. MM/LOCAL/E-01/2005 for E-Procurement LCB Tenders.

- d) Technical specifications and Quantity as per **Annexure – 1A**.
- e) The prescribed Bid Forms for submission of bids are available in the Technical RFx -> External Area -> Tender Documents.
- f) In the event of receipt of only a single offer against the tender within B.C. date, OIL reserves the right to extend the B.C. date as deemed fit by the Company. During the extended period, the bidders who have already submitted the bids on or before the original B.C. date, shall not be permitted to revise their quotation.
- g) All corrigenda, addenda, amendments, time extension, clarifications etc. To the tender will be hoisted on OIL's website (www.oil-india.com) and in the e-portal (<https://etenders.srm.oilindia.in/irj/portal>) only and no separate notification shall be issued in the press. Prospective bidders are requested to regularly visit the website and e-portal to keep themselves updated.
- h) Any sum of money due and payable to the contractor (including Security Deposit refundable to them) under this or any other contract may be appropriated by Oil India Limited and set-off against any claim of Oil India Limited (or such other person or persons contracting through Oil India Limited) for payment of sum of money arising out of this contract or under any other contract made by the contractor with Oil India Limited (or such other person or persons contracting through Oil India Limited).
- i) Bidder are advised to fill up the Technical bid check list (**Annexure EEE**) and Response sheet (**Annexure FFF**) given in MS excel format in Technical RFx -> External Area -> Tender Documents. The above filled up document to be uploaded in the **Technical RFx** Response.

Special Note:

1.0 General Qualification Criteria:

In addition to the general BRC/BEC, following criteria on Bidders' Experience and their financial capabilities shall be considered (**Documentary evidence to be provided along with the bid in Technical RFx -> External Area -> Tender Documents**) as on the Bid Closing Date:

Criteria	Complied / Not Complied. Documentary evidence submitted / not submitted
<p>a) Bidder should have experience of successfully executing single similar order of Rs 4.02 Lakhs during last 3 years from bid closing date.</p> <p>Similar Order means “Supply, installation & commissioning of battery charger of output voltage in the range of 24V to 110V or higher and output current not less than 70A.”</p>	
<p>b) Annual financial turnover of the firm in any of the last 3 financial years or current financial year should not be less than Rs 13.40 Lakhs.</p>	

Note: Documentary evidence in respect of the above should be submitted in the form of copies of relevant Purchase Orders along with copies of any of the documents in respect of satisfactory execution of each of those Purchase Orders, such as – (i) Satisfactory Inspection Report (OR) (ii) Satisfactory Supply Completion / Installation Report (OR) (iii) Consignee Received Delivery Challans (OR) (iv) Central Excise Gate Pass / Tax , Invoices issued under relevant rules of Central Excise / VAT (OR) (v) any other documentary evidence that can substantiate the satisfactory execution of each of the purchase orders cited above. For Annual financial turnover enclose the audited Annual Reports or balance sheet certified by a chartered accountant.

2.0 Vendors having OIL's User ID & password shall purchase bid documents on-line through OIL's electronic Payment Gateway upto one week prior to the Bid closing date (or as amended in e-portal).

Vendors who do not have OIL's User ID & password shall obtain User ID & password through online vendor registration system in e-portal and can subsequently purchase bid documents through OIL's electronic Payment Gateway upto one week prior to the Bid closing date (or as amended in e-portal).

Alternatively application showing full address/email address with Tender Fee (Non-refundable) of Rs. 1,000.00 in favour of M/s Oil India Limited and payable at Duliajan is to be sent to Head-Materials, Oil India Limited, P.O. Duliajan, Assam-786602. Application shall be accepted only upto one week prior to the Bid closing date (or as amended in e-portal). The envelope containing the application for participation should clearly indicate "REQUEST FOR ISSUE OF USER ID AND PASSWORD FOR E TENDER NO ..." for easy identification and timely issue of user ID and password. On receipt of requisite tender fee, USER_ID and initial PASSWORD will be communicated to the bidder (through e-mail) and will be allowed to participate in the tender through OIL's e- Procurement portal. No physical tender documents will be provided. Details of NIT can be viewed using "Guest Login" provided in the e-Procurement portal. The link to e-Procurement portal has been also provided through OIL's web site www.oil-india.com.

NOTE:

PSUs and MSE units are provided tender documents Free of Cost (as per govt guidelines), however they have to apply to OIL's designated office to issue the tender documents one week prior to the Bid closing date (or as amended in e-portal).

3.0 Please note that all tender forms and supporting documents are to be submitted through OIL's e-Procurement site only except following documents which are to be submitted manually in sealed envelope super scribed with **Tender no.** and **Due date** to **Head Materials, Materials Department, Oil India Limited, Duliajan - 786602, Assam** on or before the Bid Closing Date and Time mentioned in the Tender.

- a) **Original Bid Security**
- b) **Detailed Catalogue (if any)**
- c) **Any other document required to be submitted in original as per tender requirement**

All documents submitted in physical form should be signed on all pages by the authorised signatory of the bidder and to be submitted in duplicate.

5.0 Benefits to Micro & Small Enterprises (MSEs) as per OIL's Public Procurement Policy for Micro and Small Enterprises (MSEs) shall be given. Bidders are requested to go through ANNEXURE – I of General Terms and Conditions for E- PROCUREMENT LCB TENDERS (MM/LOCAL/E-01/2005) for more details. MSE bidders are exempted

from submission of Tender Fees and Bid Security/Earnest Money provided they are registered for the items they intend to quote.

- 6.0 Bidders are requested to examine all instructions, forms, terms and specifications in the bid. Failure to furnish all information required as per the NIT or submission of offers not substantially responsive to the bid in every respect will be at the bidders risk and may result in rejection of its offer without seeking any clarifications.
- 7.0 Bidders must ensure that their bid is uploaded in the system before the tender closing date and time. Also, they must ensure that above documents which are to be submitted in a sealed envelope are also submitted at the above mentioned address before the bid closing date and time failing which the offer shall be rejected.
- 8.0 Bid must be submitted electronically only through OIL's e-procurement portal. Bid submitted in any other form will be rejected.
- 9.0 The tender shall be governed by the Bid Rejection & Bid Evaluation Criteria given in enclosed **Annexure-CCC**. However, if any of the Clauses of the Bid Rejection Criteria / Bid Evaluation Criteria (as per **Annexure-CCC**) contradict the Clauses of the tender and / or "General Terms & Conditions" as per Booklet No. MM/LOCAL/E-01/2005 for E-procurement (LCB Tenders) elsewhere, those in the BEC / BRC shall prevail.
- 10.0 To ascertain the substantial responsiveness of the bid OIL reserves the right to ask the bidder for clarification in respect of clauses covered under BRC also and such clarifications fulfilling the BRC clauses in toto must be received on or before the deadline given by the company, failing which the offer will be summarily rejected.
- 11.0 Please do refer the User Manual provided on the portal on the procedure How to create Response for submitting offer.
- 12.0 If Bank Guarantee is submitted towards 'Bid Security', then bidders have to ensure that the Bank Guarantee issuing bank indicate the name and detailed address (including e-mail) of their higher office from where confirmation towards genuineness of the Bank Guarantee can be obtained.

NOTE:

Bidders should submit their bids (preferably in tabular form) explicitly mentioning compliance / non compliance to all the NIT terms and conditions of NIT.

Yours Faithfully

**Sd-
(R. BARMAN)
SR. MANAGER MATERIALS (IP)
FOR HEAD-MATERIALS**

Tender No & Date: SDI0608P16 Dt. 16.03.2016

BID REJECTION CRITERIA (BRC) / BID EVALUATION CRITERIA (BEC)

The following BRC/BEC will govern the evaluation of the bids received against this tender. Bids that do not comply with stipulated BRC/BEC in full will be treated as non responsive and such bids shall prima-facie be rejected. Bid evaluation will be done only for those bids that pass through the "Bid Rejection Criteria" as stipulated in this document.

Other terms and conditions of the enquiry shall be as per General Terms and Conditions vide MM/LOCAL/E-01/2005 for E-Procurement LCB Tenders. However, if any of the Clauses of the Bid Rejection Criteria / Bid Evaluation Criteria (BRC / BEC) contradict the Clauses of the tender or MM/LOCAL/E-01/2005 elsewhere, those in the BRC / BEC shall prevail.

<u>Criteria</u>	Complied / Not Complied. (Remarks if any)
<p>1.0 BID REJECTION CRITERIA (BRC):</p> <p>The bid shall conform generally to the specifications, terms and conditions given in this document. Notwithstanding the general conformity of the bids to the stipulated specifications, the following requirements will have to be particularly met by the Bidders without which the same will be considered as non-responsive and rejected.</p> <p>A) COMMERCIAL:</p> <p>i) Validity of the bid shall be minimum 120 days from the Bid Closing Date.</p> <p>ii) Bid security: The bid must be accompanied by Bid Security of Rs 13,400.00 in OIL's prescribed format as Bank Guarantee or a Bank Draft/Cashier cheque in favour of OIL. The Bid Security may be submitted manually in sealed envelope superscribed with Tender no. and Bid Closing date to Head Materials, Materials Department, Oil India Limited, Duliajan- 786602, Assam on or before the Bid Closing Date and Time mentioned in the Tender. The Bank Guarantee towards Bid Security shall be valid for 10 months from Bid closing date. (i.e. upto 05.03.2017).</p> <p>Bid Security may also be paid online on or before the Bid Closing Date and Time mentioned in the Tender.</p> <p><u>If bid security in ORIGINAL of above mentioned Amount and Validity is not received or paid online within bid closing date and time, the bid submitted through electronic form will be rejected without any further consideration.</u></p> <p>For exemption for submission of Bid Security, please refer Clause No. 8.8 of</p>	

General Terms and Conditions vide MM/LOCAL/E-01/2005 for E-Procurement LCB Tenders.

The format of Bank Guarantee towards Bid Security (Annexure – VII) has been amended to Annexure – VII (Revised) and bidders should submit Bank Guarantee towards Bid Security as per Annexure – VII (Revised) only.

iii) Performance Security:

The successful Bidder will have to provide Performance Security @ 10% of order value. The Performance Security must be valid for one year from the date of successful commissioning of the equipment or 18 months from the date of despatch whichever is earlier

The validity requirement of Performance Security is assuming despatch within stipulated delivery period and confirmation to all terms and conditions of order. In case of any delay in despatch or non-confirmation to all terms and conditions of order, validity of the Performance Security is to be extended suitably as advised by OIL.

iv) *The Bank Guarantee should be allowed to be encashed at all branches within India.*

v) The prices offered will have to be firm through delivery and not subject to variation on any account. A bid submitted with an adjustable price will be treated as non-responsive and rejected.

vi) Bids received after the bid closing date and time will be rejected. Similarly, modifications to bids received after the bid closing date & time will not be considered.

vii) All the Bids must be Digitally Signed using “Class 3” digital certificate with Organisation’s name (*e-commerce application*) as per Indian IT Act obtained from the licensed Certifying Authorities operating under the Root Certifying Authority of India (RCAI), Controller of Certifying Authorities (CCA) of India. The bid signed using other than “Class 3 with Organisation’s Name” digital certificate, will be rejected.

viii) Price should be maintained in the “online price schedule” only. The price submitted other than the “online price schedule” shall not be considered.

ix). A bid shall be rejected straightway if it does not conform to any one of the following clauses:

(a) Validity of bid shorter than the validity indicated in the Tender.

(b) Original Bid Security not received within the stipulated date & time mentioned in the Tender.

(c) Bid Security with (i) Validity shorter than the validity indicated in Tender and/or (ii) Bid Security amount lesser than the amount indicated in the Tender.

(d) Average Annual Turnover of a bidder lower than the average Annual

turnover mentioned in the Tender.

2.0 BID EVALUATION CRITERIA (BEC)

The bids conforming to the terms and conditions stipulated in the tender and considered to be responsive after subjecting to the Bid Rejection Criteria as well as verification of original of any or all documents/ documentary evidences pertaining to BRC, will be considered for further evaluation as per the Bid Evaluation Criteria given below.

A) TECHNICAL:

- i) The bids will be evaluated as per NIT specification.

B) COMMERCIAL:

- i). To evaluate the inter-se-ranking of the offers, Assam Entry Tax on purchase value will be loaded as per prevailing Govt. of Assam guidelines as applicable on bid closing date. Bidders may check this with the appropriate authority while submitting their offer.
- ii). To ascertain the substantial responsiveness of the bid OIL reserves the right to ask the bidder for clarification in respect of clauses covered under BRC also and such clarifications fulfilling the BRC clauses in toto must be received on or before the deadline given by the company, failing which the offer will be summarily rejected.
- ii) All items will be procured from the same source & evaluation will be done accordingly.

NOTE:

Bidders should submit their bids (preferably in tabular form) explicitly mentioning compliance / non compliance to all the NIT terms and conditions of NIT.

-----XXXX-----

TECHNICAL SPECIFICATIONS WITH QUANTITY

Tender No & Date: SDI0608P16 Dt. 16.03.2016

	Complied / Not Complied. (Remarks if any)
<p>ITEM NO. 10, BATTERY CHARGER 24V, 70A, (QNTY. – 1 NO.)</p> <p>Three phase, Float cum boost charger with DVR for charging Ni.Cd. battery bank, Type - 24V TP 70A, FCBC + DVR, with all standard features, Make: HBL Power Systems Limited or equivalent.</p> <p><u>Detailed Specifications:</u></p> <ol style="list-style-type: none"> 1) AC INPUT VOLTAGE: 415V, 3 Phase, 4-wire permissible variation $\pm 5\%$. 2) AC INPUT FREQUENCY: 50 HZ. Permissible variation: $\pm 5\%$ 3) OUTPUT CURRENT LIMIT: upto 70A 4) POWER CONVERSION: AC to DC by means of Three-Phase full wave full controlled bridge rectifier consisting of Thyristors. 5) DC OUTPUT VOLTAGE: 24V 6) VOLTAGE REGULATION AT BRIDGE OUTPUT : $\pm 1\%$ of set voltage for +10% input voltage variations, 10-100% load variations, $\pm 5\%$ frequency variation 7) EFFICIENCY : $>75\%$ at full load 8) RIPPLE VOLTAGE: 3% RMS (without battery) 9) SWITCHGEAR & PROTECTION <ol style="list-style-type: none"> A. Input Side : MCCB (63A) B. Output Side: MCCB for DC application(125A - 2 nos.), MCB for DC application (32A - 4 nos.). C. Battery Path : Fuses D. Protection : Current limit protection, Soft start feature, Surge suppressor E. Control Circuit : Fuses F. Rectifier Circuit : Rectifier protection fuses G. Capacitor circuit : Fuses 10) METERS (Analogue meters 96X96 sq mm, 90° deflection, 1.5% accuracy) <ol style="list-style-type: none"> A. Input Voltage B. Output Voltage C. Charger Output Current D. Battery Output Current E. Earth Leakage Current 11) INDICATIONS: <ol style="list-style-type: none"> A. AC Supply ON LED B. Charger ON LED C. Output ON LED D. Charger ON Float E. Charger ON Boost 12) Switch / Selector Switch: <ol style="list-style-type: none"> A. AC supply ON - OFF 	

- B. Charger ON-OFF
- C. Charger Mode Selector FLOAT - AUTO - BOOST
- 13) ALARMS:
 - A. AC Supply failure
 - B. DC Under voltage
 - C. DC Over voltage
 - D. Charger failure
 - E. Battery low
 - F. Charger over load
 - G. DC Earth fault -ve
 - H. DC Earth fault +ve

All the alarms and Indications to be provided through LED Display card. Audio alarm through buzzer/hooter, visual indication, alarm ack./ reset and test provision is through push buttons. One pair of potential free summary contact is provided grouping all the faults for remote annunciation.

- 14) OPERATING AMBIENT TEMP. SURROUNDING THE PANEL : 0°C. To 50°C.
- 15) PANEL:
 - A. Protection grade : IP- 53
 - B. Ventilation : Natural air cooling
- 16) INSULATION CLASS : "F"
- 17) INSULATION BREAK DOWN VOLTAGE: 2 kV for 1 Min.
- 18) CABLES : 650V/1100V Grade PVC insulated copper cables to be used. Ferrules to be provided for identification of connection.
- 19) DVR : A Diode voltage regulator is considered to keep the load voltage with in $\pm 10\%$ of the nominal voltage . The same is to be accommodated in the charger panel itself.

ITEM NO. 20, INSTALLATION & COMMISSIONING OF ITEM NO. 10, (QNTY. – 1 NO.)

ITEM NO. 30, BATTERY CHARGER 110V, 70A, (QNTY. – 1 NO.)

Three phase, Float cum boost charger with DVR for charging Ni.Cd. battery bank having tap cell, Type - 110V TP 70A, FCBC + DVR, with all standard features, Make: HBL Power Systems Limited or equivalent.

Detailed Specifications:

- 1) AC INPUT VOLTAGE: 415V, 3 Phase, 4-wire permissible variation $\pm 5\%$.
- 2) AC INPUT FREQUENCY: 50 HZ. Permissible variation: $\pm 5\%$
- 3) OUTPUT CURRENT LIMIT: upto 70A
- 4) POWER CONVERSION: AC to DC by means of Three-Phase full wave full controlled bridge rectifier consisting of Thyristors.
- 5) DC OUTPUT VOLTAGE : 110V
- 6) VOLTAGE REGULATION AT BRIDGE OUTPUT : $\pm 1\%$ of set voltage for +10% input voltage variations, 10-100% load variations, $\pm 5\%$ frequency variation
- 7) EFFICIENCY : $> 75\%$ at full load
- 8) RIPPLE VOLTAGE: 3% RMS (without battery)
- 9) SWITCHGEAR & PROTECTION

- A. Input Side : MCCB (63A)
- B. Output Side: MCCB for DC application(125A - 2 nos.), MCB for DC application (32A - 4 nos.).
- C. Battery Path : Fuses
- D. Protection : Current limit protection, Soft start feature, Surge suppressor
- E. Control Circuit : Fuses
- F. Rectifier Circuit : Rectifier protection fuses
- G. Capacitor circuit : Fuses

10) METERS (Analogue meters 96X96 sq mm, 90° deflection, 1.5% accuracy)

- A. Input Voltage
- B. Output Voltage
- C. Charger Output Current
- D. Battery Output Current
- E. Earth Leakage Current

11) INDICATIONS:

- A. AC Supply ON LED
- B. Charger ON LED
- C. Output ON LED
- D. Charger ON Float
- E. Charger ON Boost

12) Switch / Selector Switch:

- A. AC supply ON - OFF
- B. Charger ON-OFF
- C. Charger Mode Selector FLOAT - AUTO - BOOST

13) ALARMS:

- A. AC Supply failure
- B. DC Under voltage
- C. DC Over voltage
- D. Charger failure
- E. Battery low
- F. Charger over load
- G. DC Earth fault -ve
- H. DC Earth fault +ve

All the alarms and Indications to be provided through LED Display card. Audio alarm through buzzer/hooter, visual indication, alarm ack./ reset and test provision is through push buttons. One pair of potential free summary contact is provided grouping all the faults for remote annunciation.

14) OPERATING AMBIENT TEMP. SURROUNDING THE PANEL : 0°C. To 50°C.

15) PANEL:

- A. Protection grade : IP- 53
- B. Ventilation : Natural air cooling

16) INSULATION CLASS : "F"

17) INSULATION BREAK DOWN VOLTAGE: 2 kV for 1 Min.

18) CABLES : 650V/1100V Grade PVC insulated copper cables to be used. Ferrules to be provided for identification of connection.

19) DVR : A Diode voltage regulator is considered to keep the load voltage with in $\pm 10\%$ of the nominal voltage . The same is to be accommodated in the charger panel itself.

20) INSPECTION: The Chargers are be offered for pre-dispatch inspection at the manufacturer's works. All the standard tests are to be carried out in presence of OIL's Engineer at manufacturers works. The supplier should intimate OIL 15 days in advance, so that OIL can

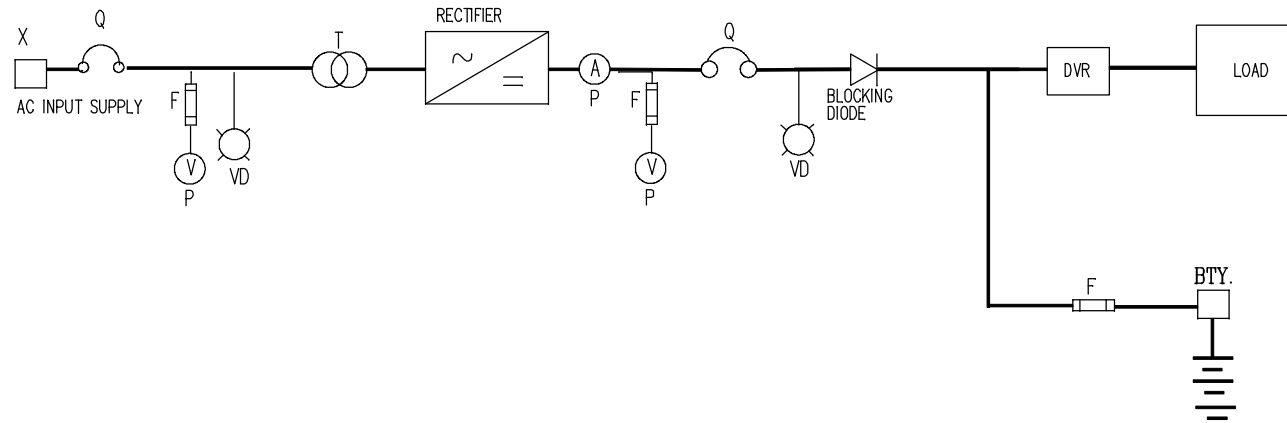
depute engineer to carry out factory acceptance test in time.	
ITEM NO. 40, INSTALLATION & COMMISSIONING OF ITEM NO. 30, (QNTY. – 1 NO.)	

NOTE:

- 1) The bidder shall quote separately for the Installation & Commissioning.
- 2) Payment Terms: 70% cost of the materials cost after delivery of the Materials, balance 30% cost and installation & commissioning charges after successful commissioning at site.
- 3) Bids complete with testing, supply and installation & commissioning will only be considered for technical evaluation.
- 4) Technical catalogues; dimensional drawing shall be submitted along with the offer for technical evaluation of the bid.
- 5) Chargers shall be guaranteed for minimum one year period from the date of commissioning. In case of any failure within guarantee period, the supplier shall replace the same at the shortest possible time at his own cost including cost of transportation etc.
- 6) Bidder to confirm that 3 (Three) sets of maintenance and operating manual shall be supplied along with the materials.
- 7) List of essential spares & their price (item wise) to be submitted along with the offer. Spares will be procured separately and will not be considered for evaluation.

Bidders should submit their bids (preferably in tabular form) explicitly mentioning compliance / non compliance to all the NIT terms and conditions of NIT.

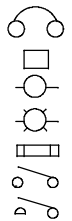
SINGLE FLOAT CUM BOOST CHARGER



TYPICAL SLD

LEGEND

- Q : MCB / MCCB
- X : TERMINAL
- P : METER
- VD : LAMP
- F : FUSE
- S : SWITCH
- K : CONTACTOR



CLIENT :	CUST. REQN.:	REVN	DATE	REMARKS	DATE
PROJ. :	CUST.ORDER NO.:	1			DRAWN
CONSLT. :		2			CHKD.
CLIENT. :	HNPS JOB NO. :	3			APPRD.

DESC. : SINGLE LINE DIAGRAM FOR
FCBC

DRAWING NO.:	REVN.	SHEET	1
	0	OF	1

MFR. : **HBL** HBL Power Systems Ltd. USE OR COMMUNICATION OF THE CONTENTS THEREOF ARE FORBIDDEN WITHOUT EXPRESS AUTHORITY. OFFENDERS ARE LIABLE TO THE PAYMENT OF DAMAGES. ALL RIGHTS ARE RESERVED THE EVENT OF THE GRANT OF A PATENT OR THE REGISTRATION OF A UTILITY MODEL OR DESIGN.

SCALE. : N.T.S.

Technical Bid Checklist**Annexure-EEE**

Tender No.			
Bidder's Name :			
		Compliance by Bidder	
SL. NO.	BEC / TENDER REQUIREMENTS	Indicate 'Confirmed' / 'Not Confirmed' / Not applicable	Indicate Corresponding page ref. of unpriced bid or Comments
1	Bidder to confirm that he has not taken any exception/deviations to the bid document .		
2	Confirm that the product offered strictly conform to the technical specifications.		
3	Confirm that the Offer has been made with Bid Bond / Bank Guarantee / Earnest Money along with the offer (Wherever Applicable) ?		
4	Confirm unconditional validity of the bid for 120 days from the date of opening of techno-commercial bid.		
5	Confirm that the prices offered are firm and / or without any qualifications?		
6	Confirm that all relevant fields in the on-line bidding format have been filled in by the bidder for the items quoted by them.		
7	Confirm that the the price bid is in conformity with OIL's online bidding format ?		
8	Confirm that the Bid comply with all the terms & conditions ?		
9	Confirm that the offers and all attached documents are digitally signed using digital signatures issued by an acceptable Certifying Authority (CA) as per Indian IT Act 2000.		
10	CONFIRM THAT YOU HAVE SUBMITTED THE DULY SIGNED INTEGRITY PACT DOCUMENT (Wherever Applicable)		
11	CONFIRM THAT YOU SHALL SUBMIT PERFORMANCE BANK GUARANTEE AS PER NIT IN THE EVENT OF PLACEMENT OF ORDER ON YOU (Wherever Applicable)		
12	CONFIRM THAT YOU HAVE SUBMITTED DOCUMENTS AS PER GENERAL QUALIFICATION CRITERIA		
13	Confirm that you have submitted Name and Full Address of Issuing Bank including Telephone, Fax Nos and Email id of branch manager where Bid security has been submitted as Bank Guarantee.		

NOTE: Please fill up the greyed cells only.

Response Sheet

Annexure-FFF

Tender No.	
Bidders Name	

Bidders Response Sheet

Sl No.	Description	Remarks
1	Name of Bidder	
2	Whether tender document purchased from OIL's offices.	
3	Place of Despatch	
4	Whether Freight charges have been included in your quoted prices	
5	Whether Insurance charges have been included in your quoted prices	
6	Make of quoted Product	
7	Offered Validity of Bid as per NIT	
8	Delivery Period in weeks from placement of order	
9	Complied to Payment terms of NIT (if applicable) otherwise to Standard Payment Terms of OIL or not.	
10	Bid Security Submitted (if applicable)	
11	Details of Bid Security Submitted to OIL (if applicable)	
	a) Bid Security Amount (In Rs):	
	b) Bid Security Valid upto:	
12	If Bid security submitted as Bank Guarantee, Name and Full Address of Issuing Bank including Telephone, Fax Nos and Email id of branch manager	
13	Bid Security if Not submitted reasons thereof	
14	Whether you shall submit Performance Security in the event of placement of order on you (if applicable)	
15	Integrity Pact Submitted (if applicable)	
16	Whether submitted documents in support of General Qualification criteria of NIT	
17	If bidder is Small scale unit whether you have quoted your own product	
18	If bidder is Small scale unit whether you are eligible for purchase preference (as per Govt guidelines)	
19	Whether filled up the bank details for online payment as per Annexure GGG	

NOTE: Please fill up the greyed cells only.

**(TO BE FILLED UP BY ALL THE VENDOR IN THEIR OWN LETER HEAD)
(ALL FIELDS ARE MANDATORY)**

Tender No. :.....
Name of Beneficiary :M/s.....
Vendor Code :.....
Address :.....
.....
Phone No. (Land Line) :.....
Mobile No. :.....
E-mail address :.....
Bank Account No. (Minimum
Eleven Digit No.) :.....
Bank Name :.....
Branch :.....
Complete Address of your
Bank :.....
IFSC Code of your Bank
a) RTGS :.....
b) NEFT :.....
PAN :.....
VAT Registration No. :.....
CST Registration No. :.....
Service Tax Registration No. :.....
Provident Fund Registration :.....

I/We confirm and agree that all payments due to me/us from Oil India Limited can be remitted to our above mentioned account directly and we shall not hold Oil India Limited responsible if the amount due from Oil India Limited is remitted to wrong account due to incorrect details furnished by us.

Office Seal

.....
Signature of Vendor

Counter Signed by Banker:
Seal of Bank:

Enclosure: Self attested photocopies of the following documents-

- 1) PAN Card
- 2) VAT Registration Certificate
- 3) Service Tax Registration
- 4) CST Registration
- 5) Provident Registration Certificate
- 6) Cancelled cheque of the bank account mentioned above (in original).
- 7) Bank Statement not older than 15 days on the date of submission.