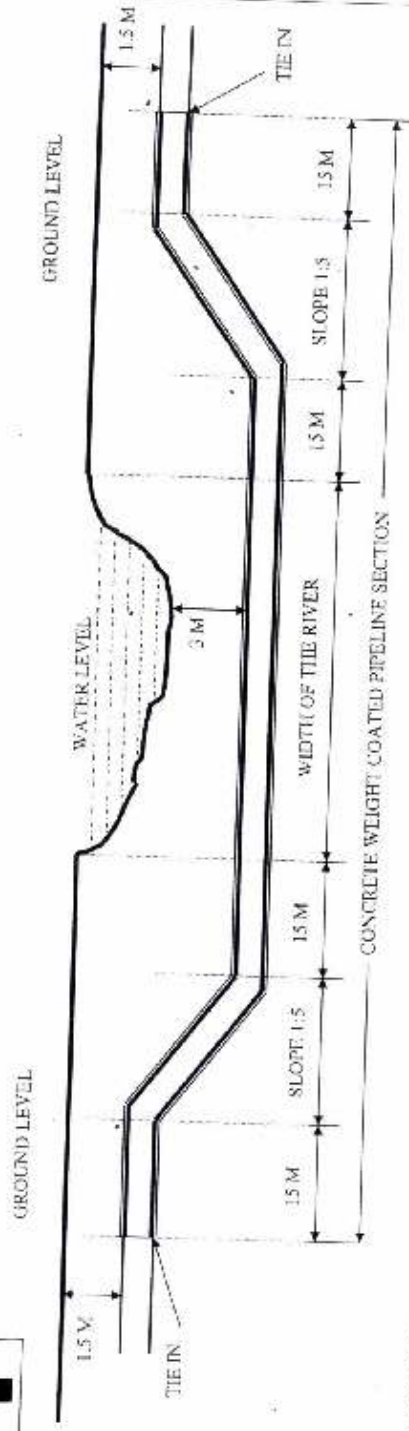
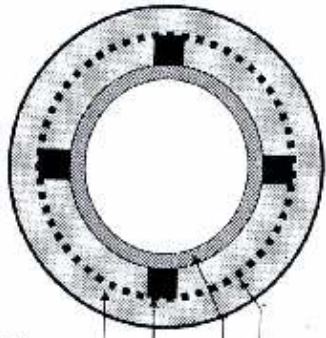


SUBMERGED RIVER CROSSING

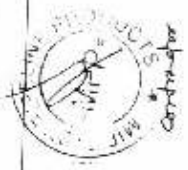


TITLE : SUBMERGED RIVER CROSSING
DRAWING NO : OIL / PP / 08
APPROVED BY : S.K.SARMAH, DY. CE (PP)

DETAILS OF CONCRETE WEIGHT COATING (50 mm Thickness)



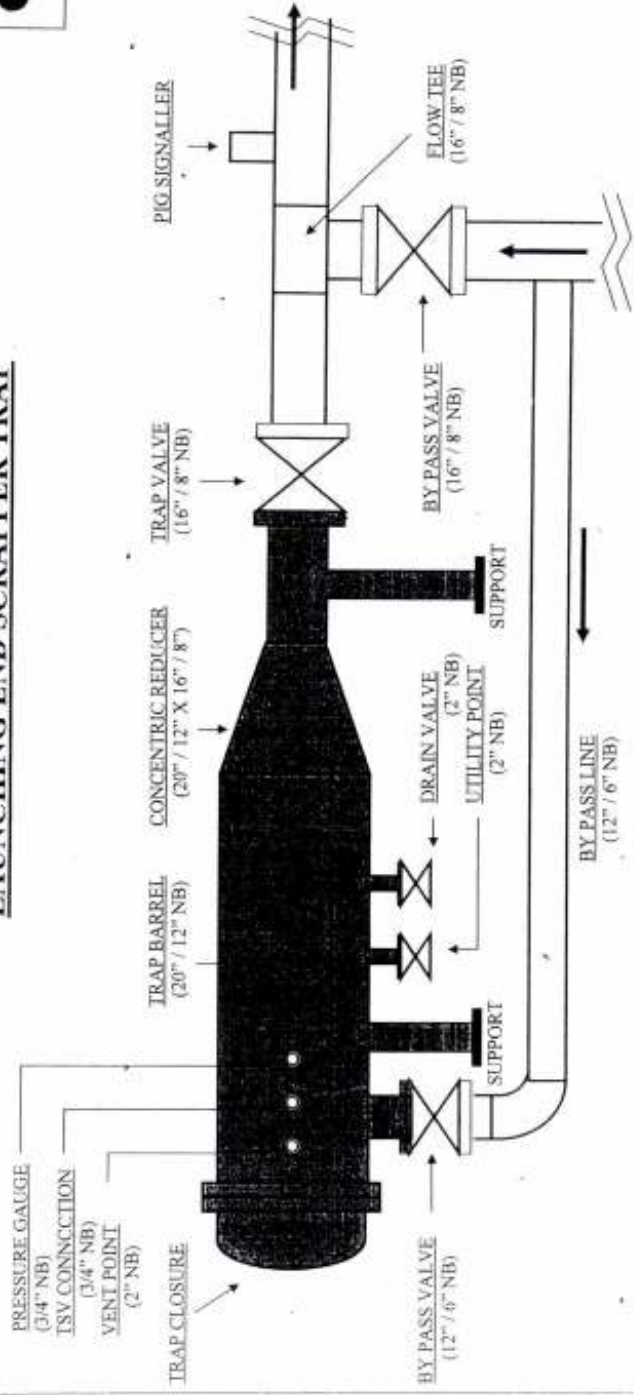
- CONCRETE WEIGHT (50 MM THK)
- SPACER BLOCK
- COATED PIPELINE SECTION
- WIRE MESH FOR REINFORCEMENT



PRODUCTION PROJECT DEPARTMENT
 Page No. 87 of 93



LAUNCHING END SCRAPPER TRAP



TITLE : LAUNCHING SCRAPPER TRAP
DRAWING NO : OIL / PP / 09
APPROVED BY : S.K.SARMAH, DY.CE (PP)

- NOTE :**
1. Schematic sketch only. Does not conform to scale.
 2. Trap barrel along with the ancillaries as shown shaded shall be supplied as a package.
 3. Pig handling system, which is also a part of the package, has not been shown in the drawing.



PRODUCTION PROJECT DEPARTMENT

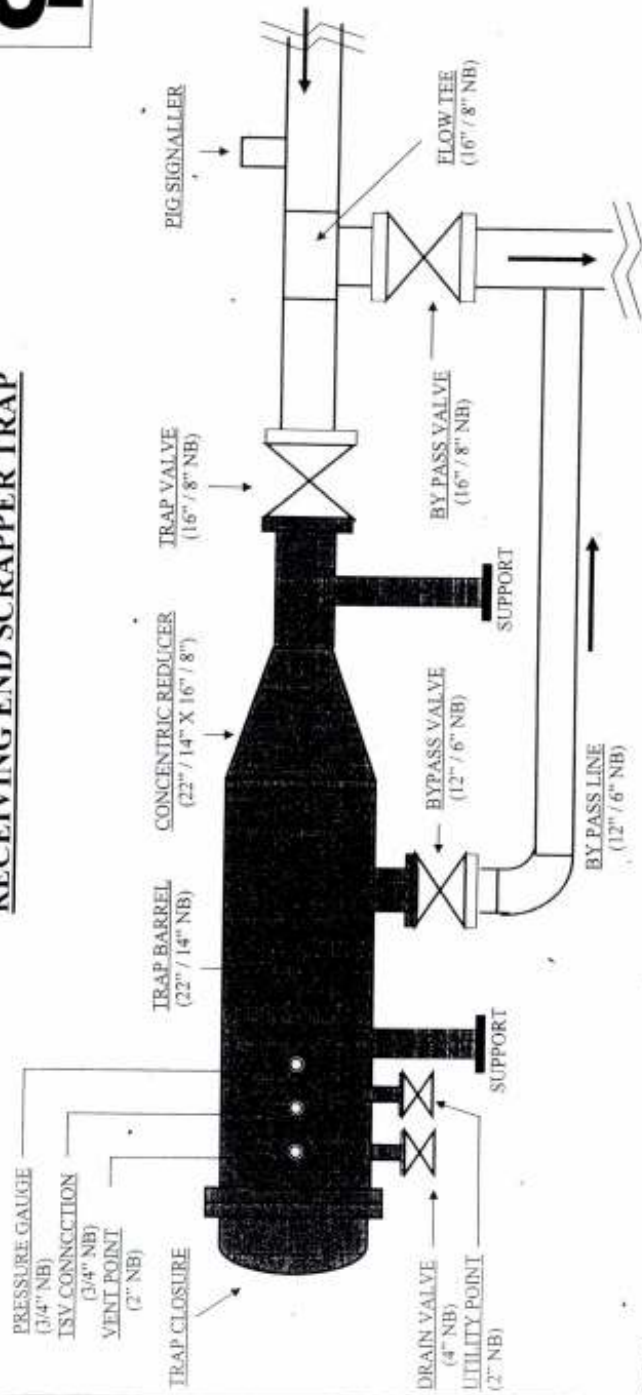
Signature

Page no. 88 of 93

Company

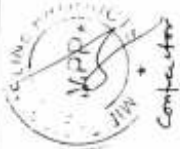


RECEIVING END SCRAPPER TRAP



TITLE : RECEIVING SCRAPPER TRAP
DRAWING NO : OIL / PP / 10
APPROVED BY : S.K.SARMIH, DY.CE (PP)

- NOTE :**
1. Schematic sketch only. Does not conform to scale.
 2. Trap barrel along with the ancillaries as shown shaded shall be supplied as a package.
 3. Pig handling system, which is also a part of the package, has not been shown in the drawing.



PRODUCTION PROJECT DEPARTMENT

Page no 89 of 93

Company

